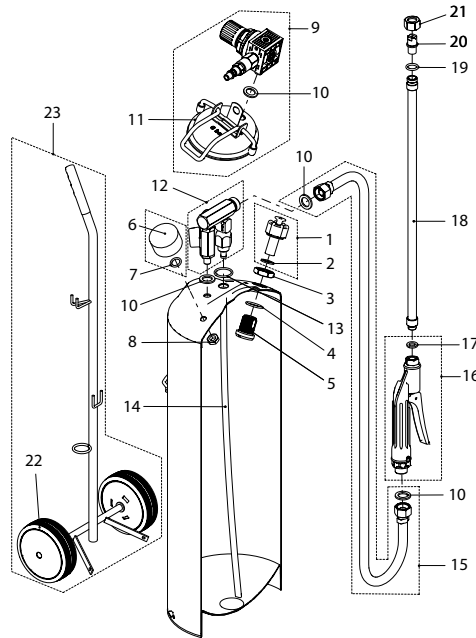


Item No EAN-Code  
7611034...



Indu-Matic 20 M



Foam Cleaner 20



<b>Indu-Matic 20 M, incl. high-grade steel cart and 4 m hose</b>		11561801	122076
<b>Accessories</b>			
Hose 6 m		10834215	710365
Hose 8 m		10834216	710372
Compressed air hose, incl. quick coupling, length 10 m		11590001	701462
Spray tube assy., 1 m, high-grade steel G1/4"-G3/8"e		11544902	113197
Connection G1/4"-G3/8"i, to connect extensions		11811802	113203
Spray tube 50 cm curved, stainless steel		11669801	110622
Fanjet nozzle XR 8002 VS, assy.		11612803-SB	100302
<b>No Gasket set consisting of:</b>		11593601-SB	700939
2	Gasket 21x15.4x2		
4	O-Ring 23.81x2.62		
7	O-Ring 9.25x1.78		
10	Gasket 17x11x1.5		
13	O-Ring 17.17x1.78		
17	Gasket 11.9x7x1.5		
19	O-Ring 10x2		
<b>Gasket set for trigger</b>		11664910	040851
<b>No Spare parts</b>			
1	Safety valve 6 bar	11669608	110783
3	Nut M24x2, <b>minimum order qty. 5 pcs</b>	10473501	701042
5	Nipple, <b>minimum order qty. 5 pcs</b>	10473602	701509
6	Manometer assy.	11665001	110790
8	Hexagon nut G1/8", <b>minimum order qty. 5 pcs</b>	10806101	701073
9	Filler cap with reducing valve brass nickel-plated	11647101	113210
	For filler cap: pressure control valve assy.	11560101	110950
11	O-Ring 86x6	50117140	701141
12	Mixing valve	11646901	113227
14	Suction tube	11468201	110981
15	Hose assy. 4 m	10834214	710358
16	Trigger assy.	10966110	040097
18	Spraying tube 45 cm, G1/4"-G3/8"e	11544901	710389
20	Fanjet nozzle TP 6540-SS	11582701	100319
21	Skirted nut G3/8", <b>minimum order qty. 5 pcs</b>	42003802	701127
22	Plastic wheel 150 mm with cover	11806101	113043
23	Handcart assy.	11801501	110745
<b>Foam Cleaner 20, incl. hose 4 m *</b>		11672005	122359
<b>Accessories</b>			
Hose 4 m		10834214	710358
Hose 6 m		10834215	710365
Hose 8 m		10834216	710372
Spray tube assy., 1 m, high-grade steel G1/4"-G3/8"e		11544902	113197
Connection G1/4"-G3/8"i, to connect extensions		11811802	113203

\* Special discount rate for dealers